



FF-M20VA

OUTPUT: APPROX 0.1~3.5W

Precious metal-brush motors

代表的用途: 便携式摄像机、汽车CD机、泵
MD录放机、照相机、电动剃须刀

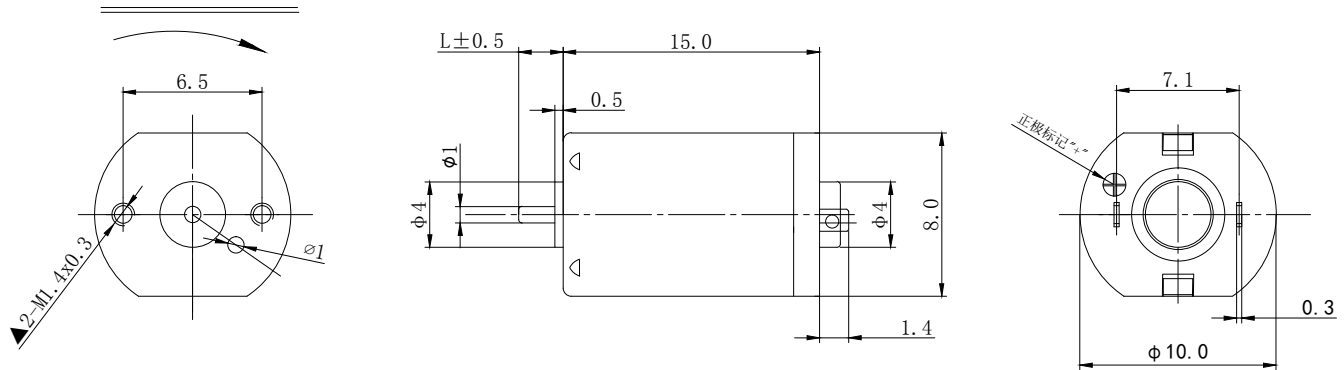
Portable camera Car CD
MD recorder Camera Electric shaver



MODEL	VOLTAGE		NO LOAD		AT MAXIMUM EFFICIENCY				STALL	
	OPERATING RANGE	NOMINAL	SPEED	CURRENT	SPEED	CURRENT	TORQUE	OUTPUT	TORQUE	CURRENT
			r/min	A	r/min	A	mN.m	W	g.cm	A
FF-M20-1550	1-3V	1.5V	18000	0.100	14601	0.387	0.194	0.32	9.6	1.5
FF-M20-07220	2-4V	3.0V	8609	0.020	6546	0.063	0.135	0.09	5.7	0.201

UNIT: MILLIMETERS

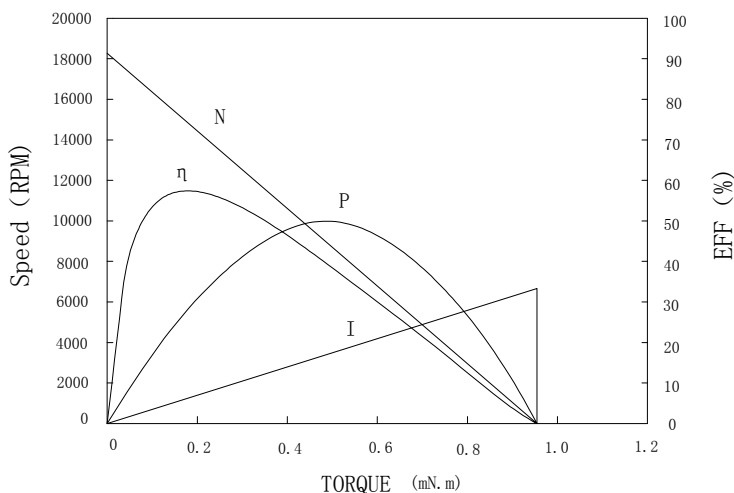
旋转方向
Direction Of Rotation



WEIGHT: 4g (APPROX)

FF-M20-1550

1.5V



At No Load

Speed: 18370 RPM
Current: 0.1 AMPS

At stall (Extrapolated)

Torque: 0.94 mN.m
Current: 1.501 AMPS

At maximum efficiency

Efficiency: 50.0 %
Torque: 0.194 mN.m
Speed: 14601 RPM
Current: 0.387 AMPS
Output: 0.32 Watts

At maximum Power output

Output: 0.490 Watts
Torque: 0.472 mN.m
Speed: 10496 RPM
Current: 0.70 AMPS

Characteristics

Torque constant K_t : 0.674 MN.m/APM
E. M. F. constant E_g : 0.674 mV/rad/sec
Dynamic resistance: 0.9994 Ohms
Motor regulation M_r : 19469.23 RPM/mN.m