



FC-280SA

OUTPUT: APPROX 0.3~23W

Carbon brush motors

代表的用途: 剪发器、自动门锁、
各种电动玩具

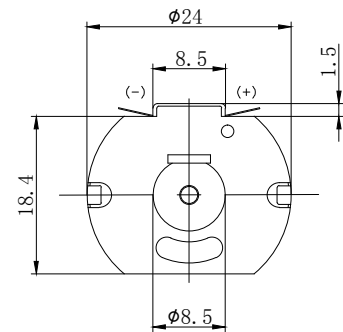
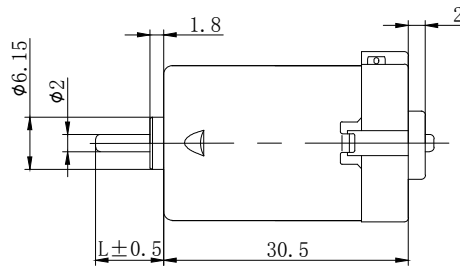
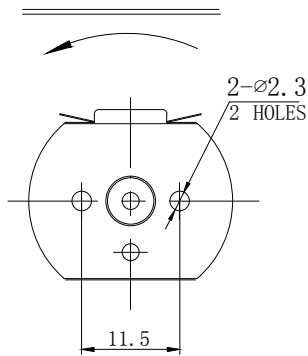
Hair clippers Automatic door-lock
All kinds of electric locks



MODEL	VOLTAGE		NO LOAD		AT MAXIMUM EFFICIENCY				STALL	
	OPERATING RANGE	NOMINAL	SPEED	CURRENT	SPEED	CURRENT	TORQUE	OUTPUT	TORQUE	CURRENT
			r/min	A	r/min	A	mN.m	W	g.cm	A
FC-280S-11440	6-14V	12V	4500	0.19	3821	0.097	1.99	0.75	124	0.493
FC-280S-09550	18-24V	18V	5300	0.017	4329	0.083	2.16	0.62	129	0.400

UNIT: MILLIMETERS

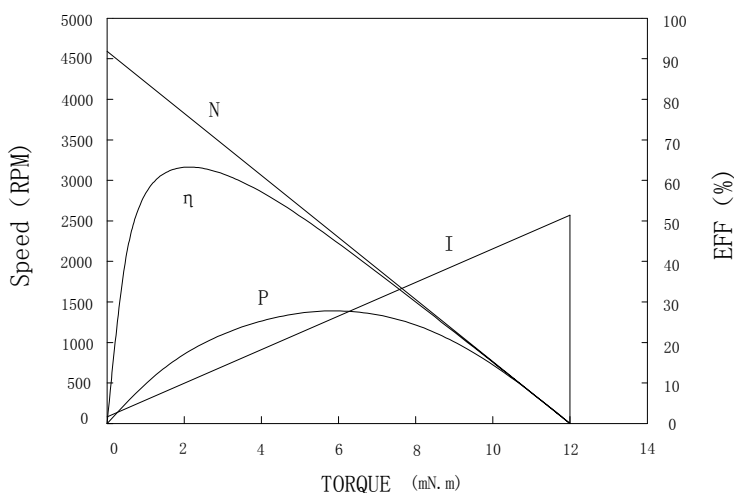
旋转方向
Direction Of Rotation



WEIGHT: 39g (APPROX)

FC-280S-11440

12.0V



At No Load

Speed: 4571 RPM
Current: 0.019 AMPS

At stall (Extrapolated)

Torque: 12.13 mN.m
Current: 0.493 AMPS

At maximum efficiency

Efficiency: 64.6 %
Torque: 1.990 mN.m
Speed: 3821 RPM
Current: 0.097 AMPS
Output: 0.75 Watts

At maximum Power output

Output: 1.368 Watts
Torque: 6.064 mN.m
Speed: 2469 RPM
Current: 0.24 AMPS

Characteristics

Torque constant K_t : 25.565 mN.m/APM
E. M. F. constant E_c : 25.565 mV/rad/sec
Dynamic resistance: 24.3197 Ohms
Motor regulation M_r : 376.87 RPM/mN.m