



RF/RK-520TB

OUTPUT: APPROX 0.4~4.5W

Precious metal/Carbon-brush motors

代表的用途: 喷香机、点钞机
消防设备

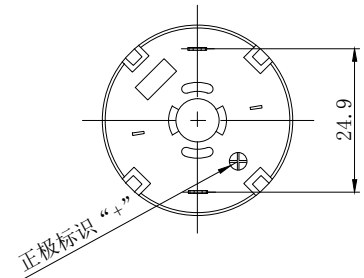
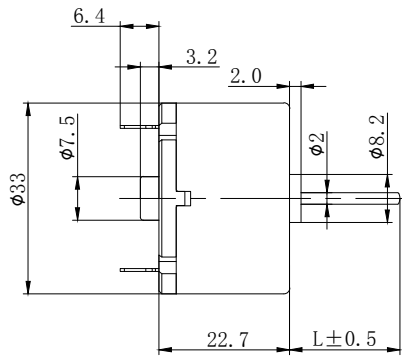
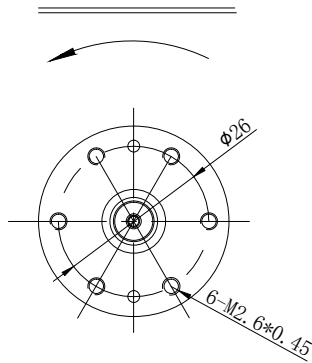
Aerosol dispenser Counting machine
Fire fighting equipment



MODEL	VOLTAGE		NO LOAD		AT MAXIMUM EFFICIENCY				STALL	
	OPERATING RANGE	NOMINAL	SPEED	CURRENT	SPEED	CURRENT	TORQUE	OUTPUT	TORQUE	CURRENT
			r/min	A	r/min	A	mN.m	W	g.cm	A
RK-520TB-20265	4-8V	6.0V	4200	0.046	3656	0.245	2.97	0.97	190	1.31
RF-520TB-17410	8-14V	12V	5500	0.029	4849	0.176	3.22	1.47	228	1.06

UNIT: MILLIMETERS

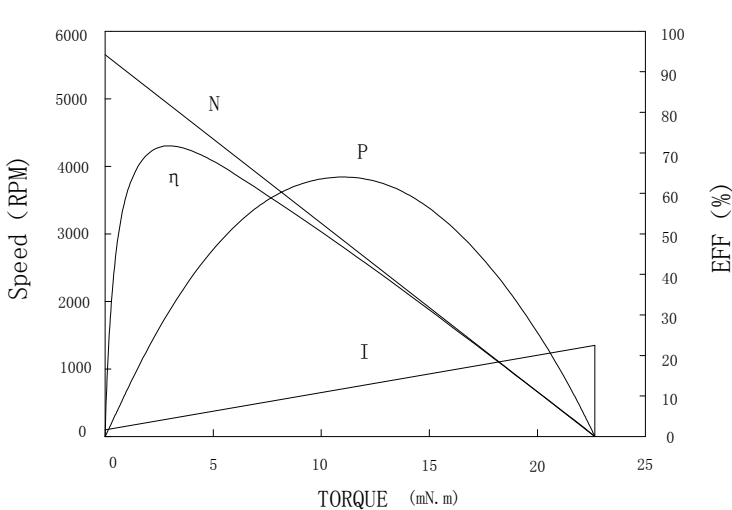
旋转方向
Direction Of Rotation



WEIGHT: 50g (APPROX)

RF-520TB-17410

12.0V



At No Load

Speed: 5650 RPM
Current: 0.029 AMPS

At stall (Extrapolated)

Torque: 22.79 mN.m
Current: 1.064 AMPS

At maximum efficiency

Efficiency: 69.7 %
Torque: 3.229 mN.m
Speed: 4849 RPM
Current: 0.176 AMPS
Output: 1.47 Watts

At maximum Power output

Output: 3.019 Watts
Torque: 11.393 mN.m
Speed: 2983 RPM
Current: 0.52 AMPS

Characteristics

Torque constant K_t : 22.023 mN.m/APM
E. M. F. constant E_c : 22.023 mV/rad/sec
Dynamic resistance: 11.2817 Ohms
Motor regulation M_r : 247.96 RPM/mN.m