



RK-529SA

OUTPUT: APPROX 0.5~10W

Precious metal/Carbon-brush motors

代表的用途: 喷香机、点钞机
消防设备、泵

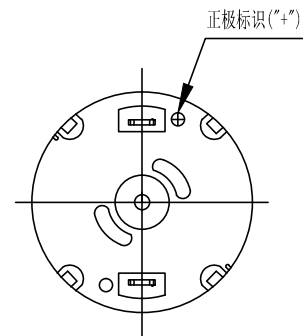
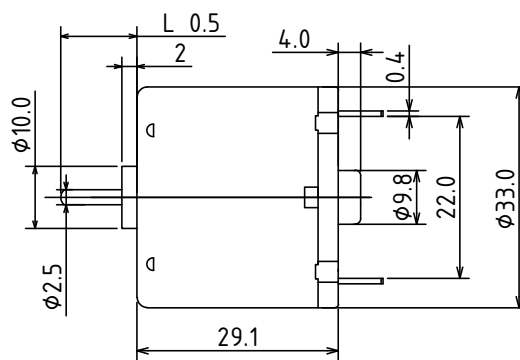
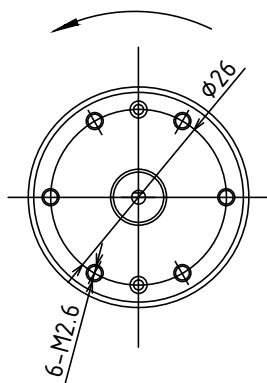
Aerosol dispenser Counting machine
Fire fighting equipment



MODEL	VOLTAGE		NO LOAD		AT MAXIMUM EFFICIENCY				STALL	
	OPERATING RANGE	NOMINAL	SPEED	CURRENT	SPEED	CURRENT	TORQUE	OUTPUT	TORQUE	CURRENT
			r/min	A	r/min	A	mN.m	W	g.cm	A
RK-529SA-19250	11-13V	12V	5401	0.064	4644	0.393	7.975	3.30	580.48	2.41
RK-529SA-18250	11-13V	12V	5401	0.077	4553	0.414	8.127	3.29	528.26	2.22

UNIT: MILLIMETERS

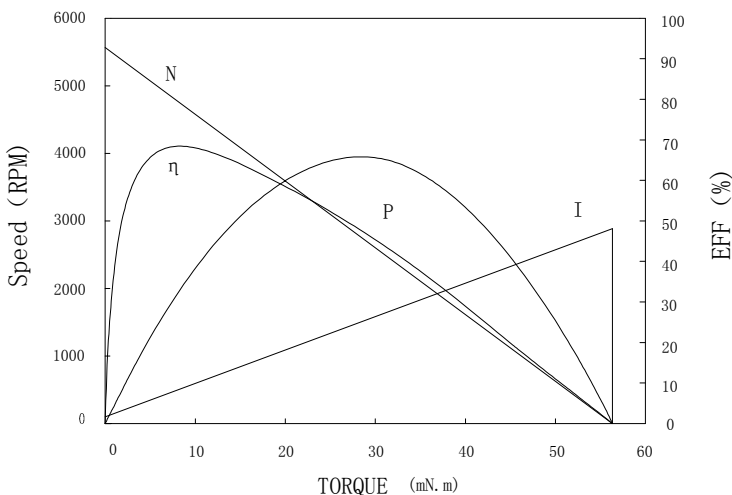
旋转方向
Direction Of Rotation



WEIGHT: 79g (APPROX)

RK-529SA-19250

12V



At No Load

Speed: 5401 RPM
Current: 0.064 AMPS

At stall (Extrapolated)

Torque: 56.91 mN.m
Current: 2.410 AMPS

At maximum efficiency

Efficiency: 70.1 %
Torque: 7.975 mN.m
Speed: 4644 RPM
Current: 0.393 AMPS
Output: 3.30 Watts

At maximum Power output

Output: 6.852 Watts
Torque: 28.457 mN.m
Speed: 2848 RPM
Current: 1.17 AMPS

Characteristics

Torque constant K_t : 24.258 mN.m/APM
E. M. F. constant E_c : 24.258 mV/rad/sec
Dynamic resistance: 4.9788 Ohms
Motor regulation M_r : 94.90 RPM/mN.m