



# FC-260SA

OUTPUT: APPROX 0.3~23W

Carbon brush motors

代表的用途: 剪发器、自动门锁、  
各种电动玩具

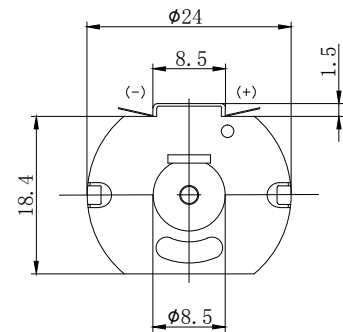
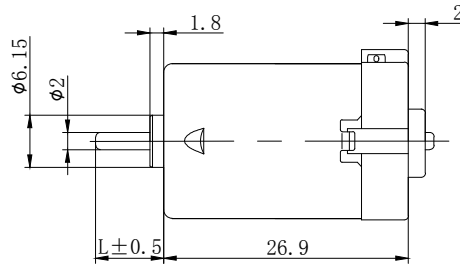
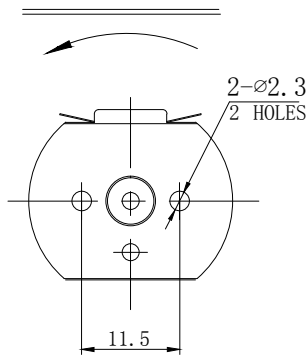
Hair clippers Automatic door-lock  
All kinds of electric locks



MODEL	VOLTAGE		NO LOAD		AT MAXIMUM EFFICIENCY				STALL	
	OPERATING RANGE	NOMINAL	SPEED	CURRENT	SPEED	CURRENT	TORQUE	OUTPUT	TORQUE	CURRENT
			r/min	A	r/min	A	g. cm	W	g. cm	A
FC-260SA-2670	3-6V	4.5V	14000	0.27	11600	1.33	29	3.45	180	6.70
FC-260SA-10300	6-26V	24V	17300	0.07	14100	0.31	29	4.19	158	1.38
FC-260SA-12250	6-28V	24V	20000	0.09	16700	0.46	35	5.99	210	2.30

UNIT: MILLIMETERS

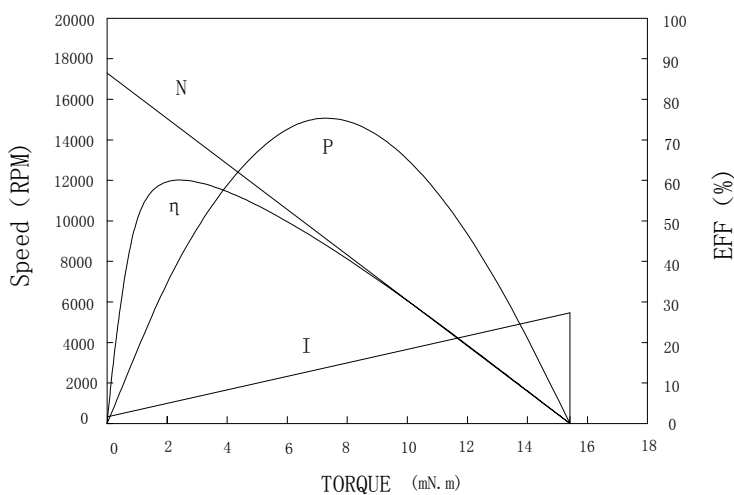
旋转方向  
Direction Of Rotation



WEIGHT: 28g (APPROX)

FC-260SA-10300

24.0V



At No Load

Speed: 17300 RPM  
Current: 0.07 AMPS

At stall (Extrapolated)

Torque: 15.36 mN.m  
Current: 1.368 AMPS

At maximum efficiency

Efficiency: 59.9 %  
Torque: 2.835 mN.m  
Speed: 14108 RPM  
Current: 0.309 AMPS  
Output: 4.45 Watts

At maximum Power output

Output: 7.386 Watts  
Torque: 7.682 mN.m  
Speed: 9583 RPM  
Current: 0.65 AMPS

Characteristics

Torque constant  $K_t$ : 11.842 mN.m/APM  
E. M. F. constant  $E_c$ : 11.842 mV/rad/sec  
Dynamic resistance: 17.5503 Ohms  
Motor regulation  $M_r$ : 1125.96 RPM/mN.m