



RF/K-380SAN

OUTPUT: APPROX 1.0~55W Precious metal-brush motors

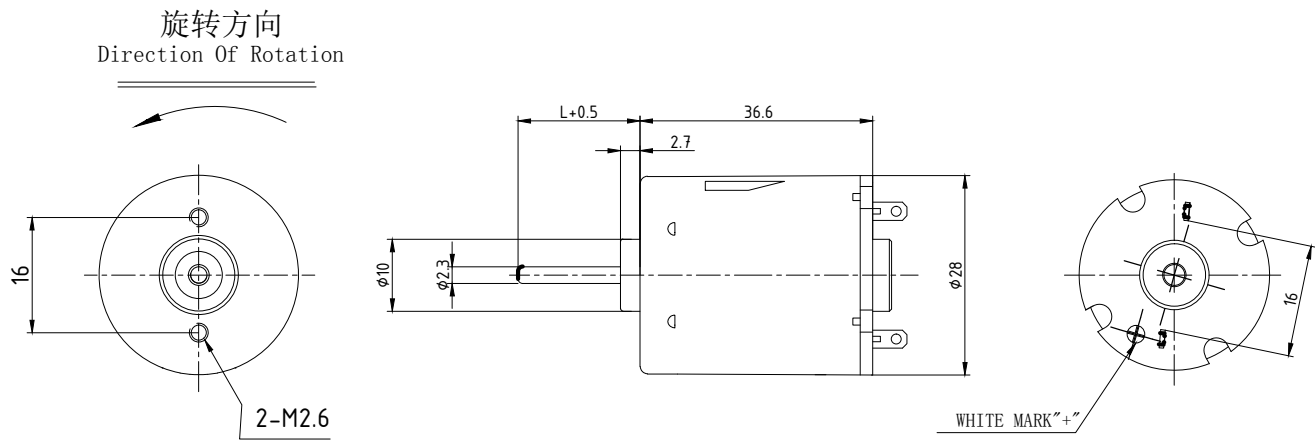
代表的用途: 家用电器、泵
自行车电装机器

Typical Applications/Household Appliances
Automotive Products

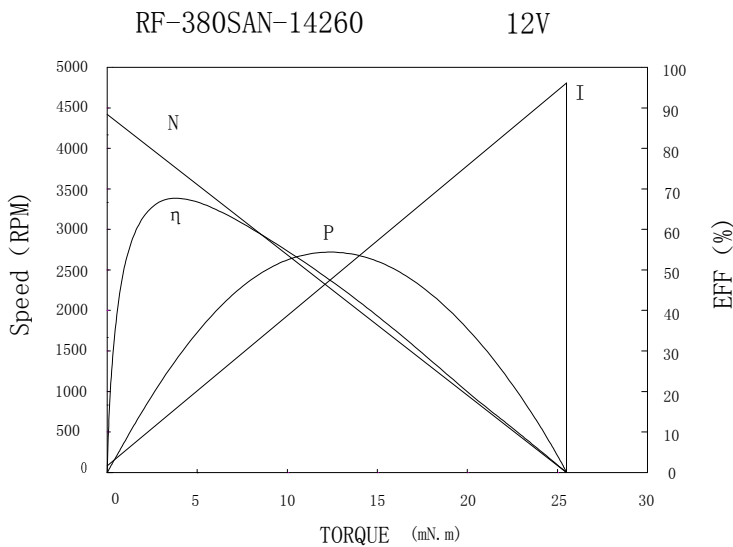


MODEL	VOLTAGE		NO LOAD		AT MAXIMUM EFFICIENCY				STALL	
	OPERATING RANGE	NOMINAL	SPEED	CURRENT	SPEED	CURRENT	TORQUE	OUTPUT	TORQUE	CURRENT
			r/min	A	r/min	A	mN.m	W	g.cm	A
RF-380SAN-14260	11-13V	12V	4409	0.029	3759	0.168	3.819	1.38	264.18	0.970

UNIT: MILLIMETERS



WEIGHT: 66g (APPROX)



At No Load	Speed: 4409	RPM
	Current: 0.029	AMPS
At stall (Extrapolated)	Torque: 25.90	mN.m
	Current: 0.970	AMPS
At maximum efficiency	Efficiency: 68.4	%
	Torque: 3.819	mN.m
	Speed: 3759	RPM
	Current: 0.168	AMPS
	Output: 1.38	Watts
At maximum Power output	Output: 2.739	Watts
	Torque: 12.952	mN.m
	Speed: 2340	RPM
	Current: 0.47	AMPS
Characteristics	Torque constant K_t : 27.528	mN.m/APM
	E. M. F. constant E_c : 27.528	mV/rad/sec
	Dynamic resistance: 12.3710	Ohms
	Motor regulation M_r : 170.20	RPM/mN.m