



GB37Y280/GB37Y500

DC Gear Motors

代表的用途：机器人、金融设备
智能卫浴、小型机械

Robot Financial equipment
Small machinery

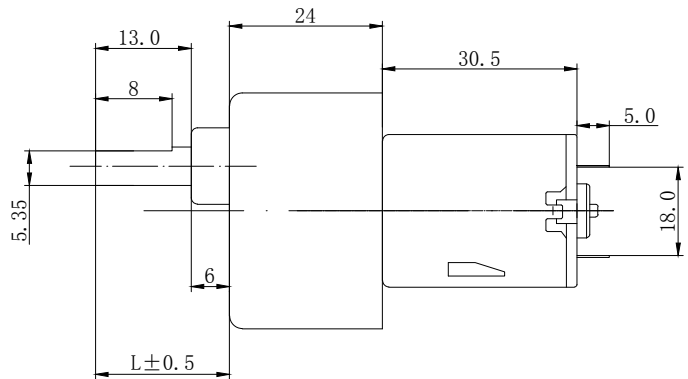
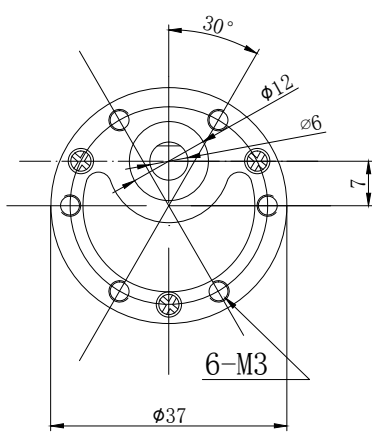
型号 (MODEL) : GB37Y280



MODEL	VOLTAGE		NO LOAD		AT MAXIMUM EFFICIENCY			STALL	
	OPERATING RANGE	NOMINAL	SPEED	CURRENT	SPEED	CURRENT	TORQUE	TORQUE	
			r/min	A	r/min	A	N.m	Kgf.cm	N.m
GB37Y280-24105-56	3-6V	4.5V	103	0.18	77	0.800	0.19	7.1	0.70

UNIT: MILLIMETERS

WEIGHT: 160g (APPROX)



型号 (MODEL) : GB37Y500



MODEL	VOLTAGE		NO LOAD		AT MAXIMUM EFFICIENCY			STALL	
	OPERATING RANGE	NOMINAL	SPEED	CURRENT	SPEED	CURRENT	TORQUE	TORQUE	
			r/min	A	r/min	A	N.m	Kgf.cm	N.m
GB37Y500-18280-90	1-4V	3.0V	30	0.04	25	0.18	7.24	4.28	0.42
GB37Y500-14415-30	1-6V	6.0V	125	0.04	100	0.15	3.16	1.84	0.18

UNIT: MILLIMETERS

WEIGHT: 145g (APPROX)

