



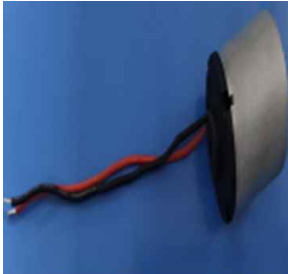
# BL3030

OUTPUT: APPROX 0.5~25W

Carbon-brush motors

代表的用途: 泵类、智能卫浴

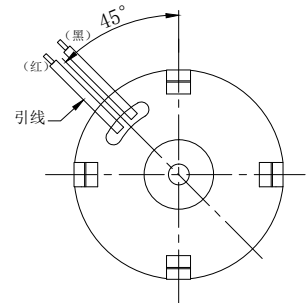
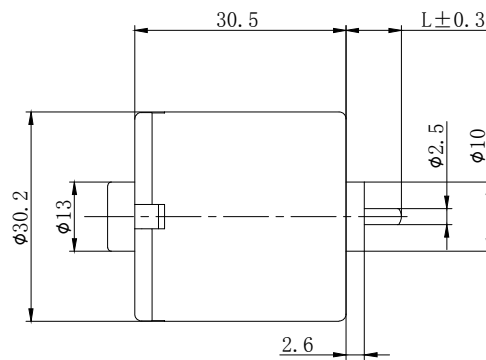
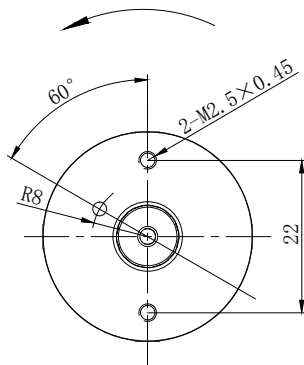
Pump Intelligent bathroom



MODEL	VOLTAGE		NO LOAD		AT MAXIMUM EFFICIENCY				STALL	
	OPERATING RANGE	NOMINAL	SPEED r/min	CURRENT A	SPEED r/min	CURRENT A	TORQUE mN.m	OUTPUT W	TORQUE g.cm	CURRENT A
BL3030-2064	10-14V	12.0V	5678	0.092	4617	0.400	7.514	2.85	410	1.7
BL3030-2554	5.4-7.4V	7.4V	4058	0.092	3300	0.401	6.606	2.85	361	1.7

UNIT: MILLIMETERS

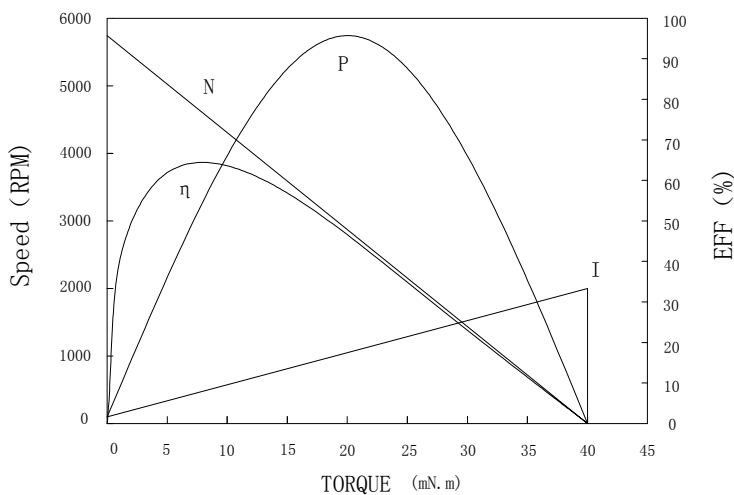
旋转方向  
Direction Of Rotation



WEIGHT: 68g (APPROX)

BL3030-2064

12.0V



At No Load

Speed: 5678 RPM  
Current: 0.092 AMPS

At stall (Extrapolated)

Torque: 40.21 mN.m  
Current: 1.741 AMPS

At maximum efficiency

Efficiency: 59.3 %  
Torque: 7.514 mN.m  
Speed: 4617 RPM  
Current: 0.400 AMPS  
Output: 2.85 Watts

At maximum Power output

Output: 4.686 Watts  
Torque: 20.103 mN.m  
Speed: 3156 RPM  
Current: 0.82 AMPS

Characteristics

Torque constant  $K_t$ : 24.378 mN.m/APM  
E. M. F. constant  $E_c$ : 24.378 mV/rad/sec  
Dynamic resistance: 6.8916 Ohms  
Motor regulation  $M_r$ : 141.22 RPM/mN.m